

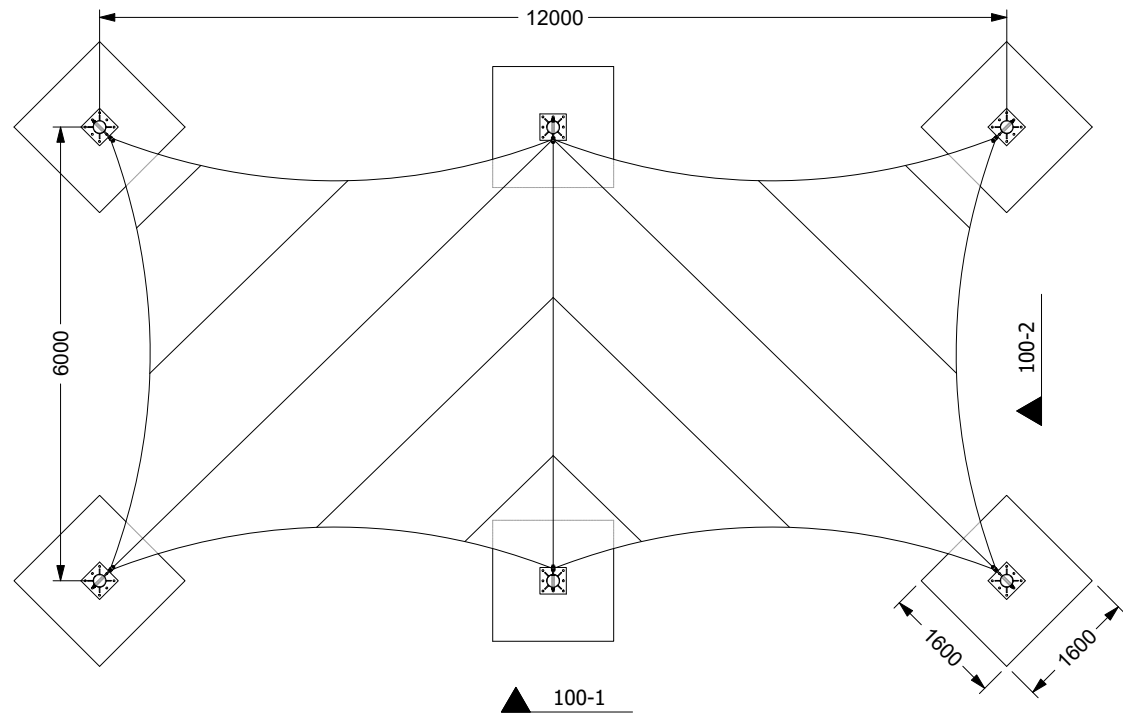
AZURE 12X6 DOUBLE HYPAR - GENERAL ARRANGEMENT

3rd Angle Projection U.N.O. 

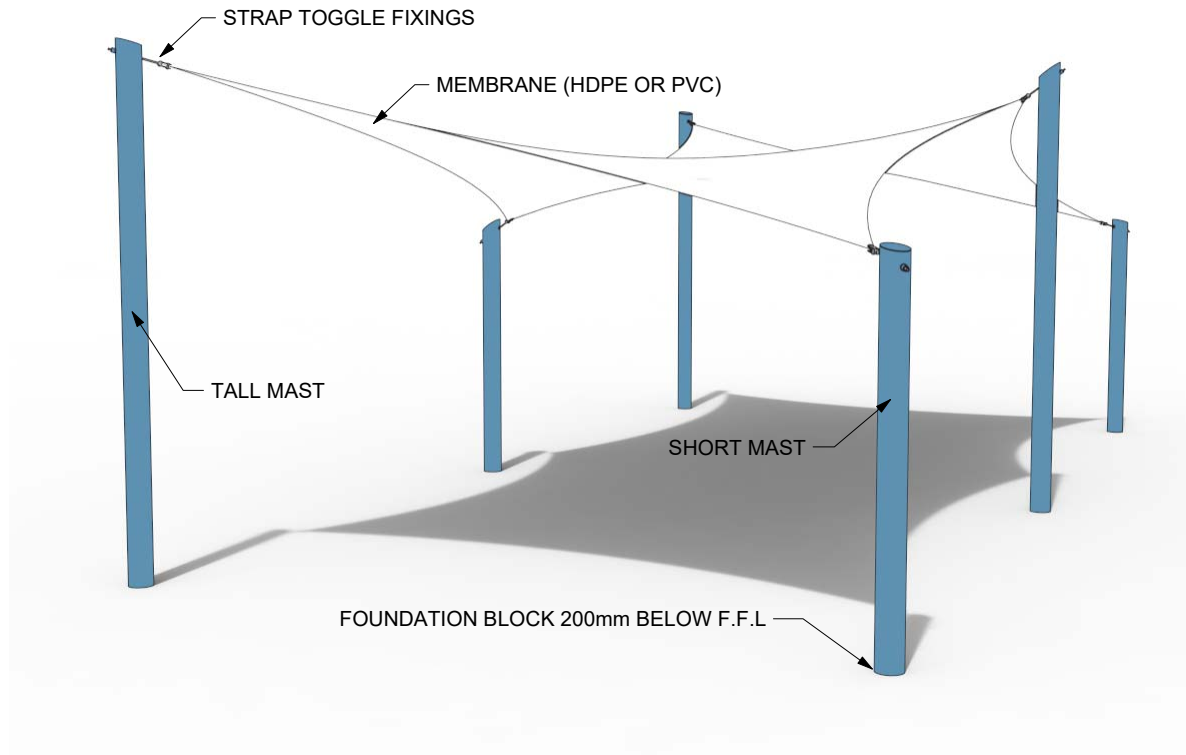
Do not scale this print.

GENERAL NOTES:

All dimensions are shown in millimeters
 STEEL MASTS: M.S.S355
 FINISH: ZINC PRIMED & POWDER COATED OR HDG
 FIXINGS: 316 STAINLESS STEEL
 FABRIC: HDPE COMMERCIAL 95 OR FERRARI 502 PVC
 FOUNDATIONS: MIN. C30 CONCRETE IN SOILS HAVING P.B.C > 60kN/m²



PLAN
SCALE 1:100 @ A3



PERSPECTIVE
NTS

Rev	Comment	By	Date
0	First Issue	LB	01/05/18

© Tensile Fabric Structures Ltd 2018
 www.tensilefabricstructures.co.uk
 info@tensilefabricstructures.co.uk
 T: 0800 9800 787

Unit 22a, Beacon Business Park
 Caldicot
 Monmouthshire
 NP26 5PY
 Company Registration No. 10477317

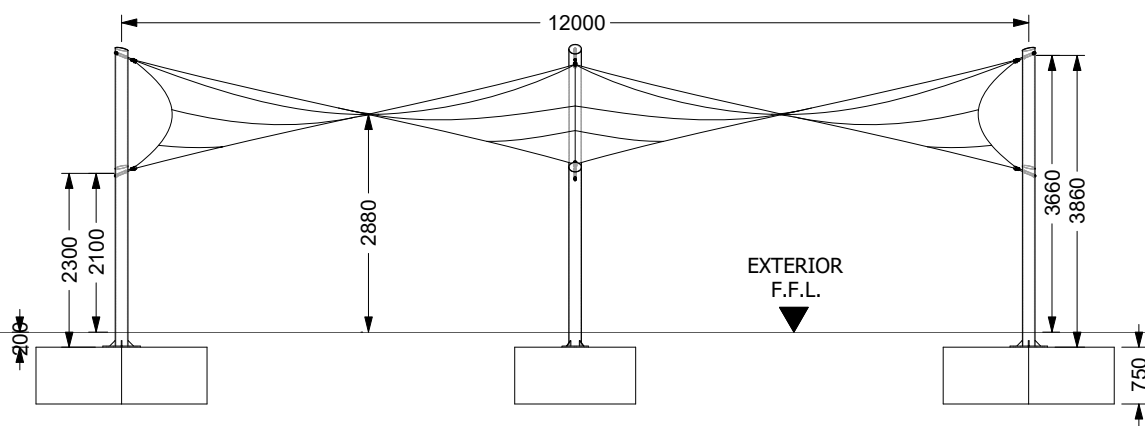
Drawing Status
For Approval

Client

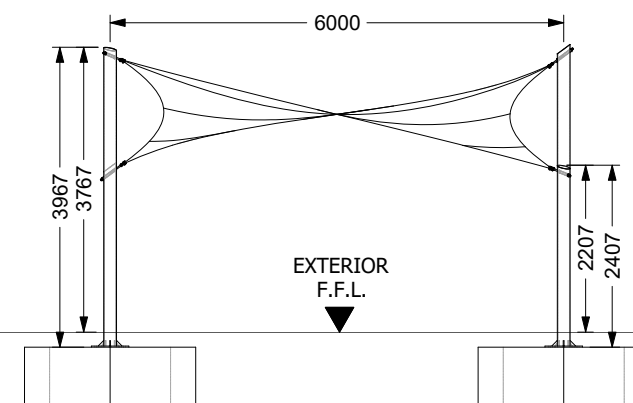
Project Title
Azure 12x6 Double Hypar

Drawing Title
General Arrangement

Scale Noted	Drawn By LB	Checked SW	Rev. 0
Date 01/05/18	Project No. AZD12x6	Dwg No. 100	



100-1 ELEVATION
SCALE 1:100 @ A3



100-2 ELEVATION
SCALE 1:100 @ A3